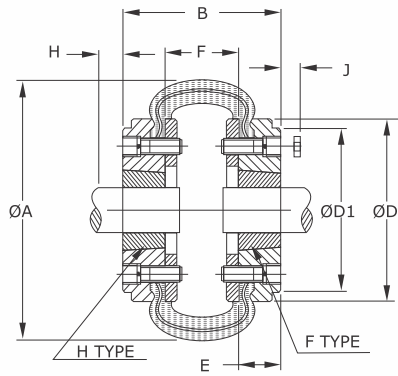
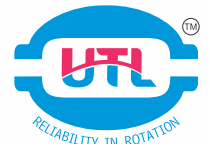
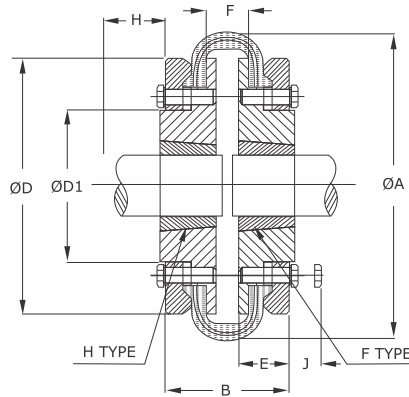


# UTL UTT COUPLINGS

(High Torsional Damping)



Size UTT 0040 to 0060



UTT 0070 to 0180



## FEATURES

- High flexibility & highest misalignment tolerances (Angular – Max 4°)
- Elastomer is designed to shear in the event of tyre failure. The torque transmission is stopped as tyre shears at failure, thus protecting the machinery
- Better protection in impact load & heavy shocks
- Easy to assemble & disassemble
- Lubrication free
- Taper bush gives clamping on shaft total surface
- Easy to replace thus minimising maintenance time

## Dimensions & Technical Data

Size	Rated Torque Nm	kW at 100 rpm	Max. Speed rpm	Type	Taper Bush Size	Max. Bore	Dimensions are in mm								Torsional Stiffness Nm/rad	Max. Misalignment (mm)	
							Ø A	Ø D	Ø D1	L	E	F	J	H		Parallel	End float ±
0040	64	0.25	4500	F/H	1008	25	104	82	-	65	22	21	17	29	286	1.10	1.30
0050	160	0.69	4500	F/H	1210	32	133	100	79	75	25	25	19	38	745	1.30	1.70
0060	318	1.33	4000	F/H	1610	42	165	125	103	80	25	30	19	38	1490	1.60	2.00
0070	47	2.62	3600	F	2012	50	197	144	82	80	32	16	9	38	2349	1.90	2.30
				H	1610	42				66	25						
0080	759	3.93	3100	F	2517	60	210	167	96	111	45	21	9	42	3610	2.10	2.60
				H	2012	50				85	32						
0090	1096	5.24	3000	F/H	2517	60	235	188	110	114	45	24	-	48	5214	2.40	3.00
0100	1517	7.07	2600	F	3020	75	254	216	125	122	51	20	-	48	7219	2.60	3.30
				H	2517	60				110	45						
0110	2137	9.16	2300	F/H	3020	75	279	233	140	123	51	21	-	55	10199	2.90	3.70
0120	3547	13.9	2050	F	3525	100	314	264	152	155	65	25	-	55	16960	3.20	4.00
				H	3020	75				127	51						
0140	5642	24.3	1800	F/H	3525	100	359	311	195	152	65	22	-	67	26929	3.70	4.60
0160	9339	39.5	1600	F/H	4030	115	395	345	216	162	77	8	-	80	44576	4.20	5.30
0180	16455	65.7	1500	F/H	4535	125	470	398	220	200	89	22	-	89	79068	4.80	6.00

## MATERIAL SPECIFICATIONS

Flange	Size-0040 - 0180	Cast Iron	CI	DIN 1693 GG 20
Tyre	All Size	Natural Rubber	NR	ASTM D 2000 810
Clamping Ring	Size-0040 - 0180	Mild Steel	St	BS 970
Hex Bolt	Size-0040 - 0180	High Tensile	St	ISO 4014 : Gr 8.8
Taper Bush	Size-1008 - 4535	Cast Iron	CI	DIN 1693 GG 20



• For temperature range of elastomers please see on page no. 34 - coupling selection