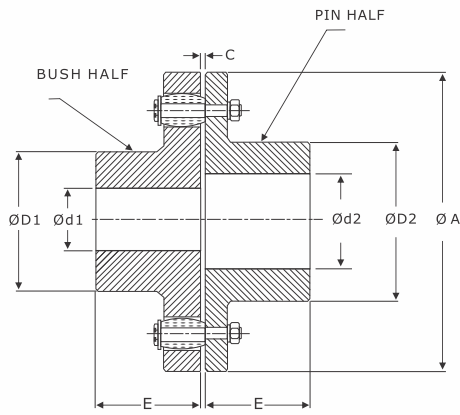
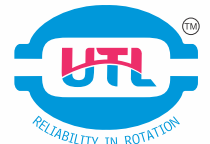
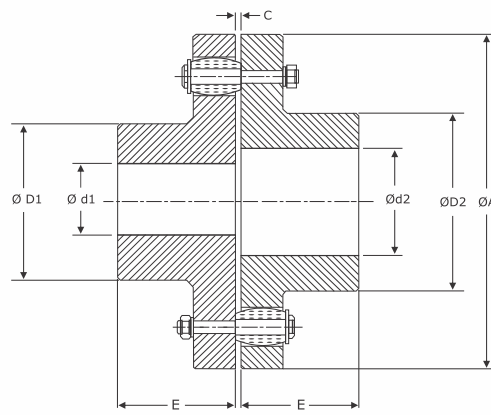


UTL UB COUPLINGS

(Coupling with Curved Bushes)



Up to size UB - 360



From size UB - 400 and above



FEATURES

- Assembling and dismantling is very easy
- By removing the pins, prime mover can be run independently
- Standard bushes (elements) in natural rubber
- After removing the pins, the hub with shaft can be removed upwards without disturbing the alignment
- The flexible bushes remain unaffected by water, dust and atmospheric conditions
- Range up to 160000 Nm
- Working temperature up to 70° C

Dimensions & Technical Data

Size	Rated Torque Nm	kW Rating at 100 rpm	Maximum Speed rpm	Dimensions in mm								Moment of Inertia kg.m ²	Max. Misalignment			No of holes
				Min Bore	Max. Bore		Ø A	Ø D1	Ø D2	E	C		Angular (°)	Parallel (mm)	Axial (mm)	
					Ø d1	Ø d2										
105	95	1.00	7200	11	30	32	105	48	50	45	2-6	0.003	1°	0.3	2	3
116	146	1.53	6100	12	39	42	116	60	68	45	2-6	0.005	1°	0.3	2	4
125	166	1.73	5500	14	45	50	125	68	78	50	2-6	0.007	1°	0.4	2	4
144	318	3.33	4900	18	50	60	144	82	91	55	2-6	0.012	1°	0.4	2	6
162	525	5.50	4500	22	60	65	162	89	100	60	2-6	0.030	1°	0.4	2	6
178	643	6.73	3800	24	70	75	178	105	115	70	2-6	0.040	1°	0.5	2	6
198	1248	13.07	3400	28	80	90	198	124	135	80	2-6	0.062	1°	0.5	2	10
228	2050	21.47	3000	28	90	100	228	133	146	90	4-10	0.100	1°	0.6	3	11
252	3069	32.13	2700	38	105	115	252	156	167	100	4-10	0.170	1°	0.6	3	12
285	4552	47.67	2400	48	115	125	285	170	186	110	4-10	0.310	1°	0.7	3	11
320	6099	63.87	2100	55	125	135	320	196	212	125	4-10	0.530	1°	0.7	3	12
360	8900	93.20	1900	65	135	150	360	212	232	140	4-12	1.020	1°	0.9	4	11
400	12051	126.20	1700	75	160	160	400	230	230	160	4-12	1.700	1°	1.1	4	10
450	18602	194.80	1500	85	180	180	450	260	260	180	4-12	2.900	0.5°	1.1	4	12
500	25802	270.20	1350	95	200	200	500	290	290	200	4-12	4.700	0.5°	1.1	4	14
560	31003	324.67	1200	95	225	225	560	320	320	220	4-8	10.700	0.5°	1.5	2	10
630	41998	439.80	1050	100	250	250	630	355	355	240	4-8	17.400	0.5°	1.5	2	12
710	75000	785.40	950	100	260	260	710	385	385	260	5-9	33.000	0.5°	1.8	2	12
800	100000	1047.20	850	100	280	280	800	420	420	290	5-9	53.000	0.5°	1.8	2	14
900	160000	1623.13	750	100	305	305	900	465	465	320	5-9	86.000	0.5°	1.8	2	16

MATERIAL SPECIFICATIONS

Hub	Size-105-360	Cast Iron	CI	DIN 1693 GG 20
Hub	Size-360-900	Cast Iron	CI	DIN 1693 GG 25
Bush 80° Shore A	All Size	Natural Rubber	NR	ASTM D2000 810
Coupling pin	All Size	Steel C 40	St	EN/DIN 10263-2

Alternative Bush for higher power ratings is available on request

Bush 92° Shore A	All Size	Natural Rubber	NR	ASTM D2000 910	Torque 1.6 times of standard
Bush 92° Shore A (Yellow Colour)	All Size	Polyurethane	PU		Torque 1.8 times of standard
Bush 98° Shore A (Red Colour)	All Size	Polyurethane	PU		Torque 2.5 times of standard



• For temperature range of elastomers please see on page no. 34 - coupling selection